

indoor dome IP camera



H.264 Indoor Dome IP Camera Wide Angle

D1 at full frame high quality and performances H.264 compression networking camera. contains high quality CMOS sensor. The camera includes TDSI's Video Analytic solution as standard.

indoor dome IP camera

DS0089_Issue 1

SPECIFICATIONS

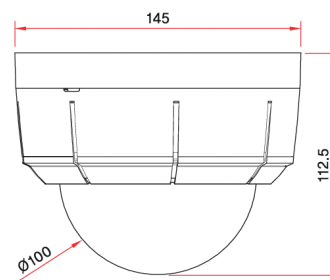
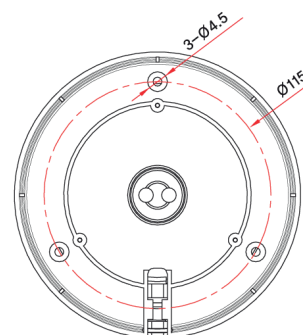
TDSi Part No.	5012-0360
Camera Module	
Image Sensor	1/3" CMOS
Effective Pixels	768 x 576
Scanning System	2:1 Interlace
Horizontal Resolution	550 TVL
Minimum Illumination	0.25 Lux
Lens	2.1mm, Fixed Iris
Day & Night S/W	S/W
Video	
Compression Format	H.264, MPEG-4, MJPEG
Number of Streams	Dual Stream, Configurable
Resolution	D1, CIF, QCIF
Compression FPS	25/30 fps@D1
De-interlacing	Optional (On / Off)
Motion Detection	Built-in (DSP)
Burnt-in Text	Video stream overlay text (DSP)
Analog Output	1 Loop Out
Audio	
Input	1 channel
Output	1 channel
Compression Format	G.711
Function	
Network	10 / 100 Base-T
Protocol	TCP/IP, UDP/IP, HTTP, RTSP, RTP, RTCP, RTP/UDP, RTP/TCP, SNTP, mDNS, UPnP, SMTP, SOCK, IGMP, DHCP, FTP, DDNS, SSL v2/v3, IEEE 802.1X, SSH
Users	WEB access, up to 20 simultaneous user, depending on resolution settings - Unicast. Multicast - Unlimited
Electrical	
Power Source	12V DC
Power over Ethernet	Support (IEEE 802.3af)
Power Consumption (Approx)	270 mA @ +12V
Environmental	
Operating Temperature	0°C ~ 50°C (32°F ~ 122°F)
Operating Humidity	Up to 85% RH (Non-condensing)
Mechanical	
Material	Polycarbonate
Color	White
Dimension	Housing: 145() x 113(H) mm, Dome: 100 () mm
Weight (Approx)	520 g
Primary Intelligent Video Analytics (Included as Standard)	
High Performance	Advanced Tracking Algorithm. Low False Alarm Rate
Easy to Use	Intuitive Web Browser Interface
Detection Zones	Multi-segment Polygons and Lines
On-screen Display	Real-time Display of Tracking Data and Events
Camera Shake Cancellation	Improves VCA performance with cameras that are prone to shake
Tamper Detection	Detect camera tampering
Advanced Intelligent Video Analytics (Option)	
Detection Behavior	Direction, Stopping, Loitering, Entering, Exiting, Appear, and Disappear Filters, Abandoned/Removed Object Detection, Tailgating Detection
3D Behavior	Perspective Corrected Size and Speed Filters
Statistics	Counting Functions and Other Statistics
Meta Data	Binary XML Format

FEATURES & BENEFITS

- H.264 D1 25/30 FPS
- Video Compression: H.264, MPEG-4, MJPEG
- Dual Stream
- Enhanced Deinterlacing on DSP
- Embedded Intelligent Video Analytics
- Burnt-in Text, Video Motion Detection Support
- 2-way Audio
- Remote Firmware Upgrade over the network
- Comprehensive SDK Support

ORDERING INFORMATION

Part Number: 5012-0360



(unit: mm)



TDSi UK
 Unit 10 Concept Park,
 Innovation Close,
 Poole,
 Dorset BH12 4QT
 United Kingdom
 t: +44 (0)1202 723535
 f: +44 (0)1202 724975
 e: sales@tdsi.co.uk

TDSi France
 Immeuble ATRIA,
 2 rue du Centre
 93160 NOISY LE GRAND,
 France
 t: +33 (0)1 58 84 20 90
 f: +33 (0)1 58 84 20 91
 e: infos@tdsi-france.com

TDSi China
 Rm 103, 1 Bld,
 Shangsha Innovation Science
 & Technology Park,
 9283 Binhai Road,
 Futian District,
 Shenzhen 518048,
 P.R.China
 t: 86-755-82535725,
 82535720
 f: 86-755-82535770
 e: tdsiinfo@microgarde.com.cn